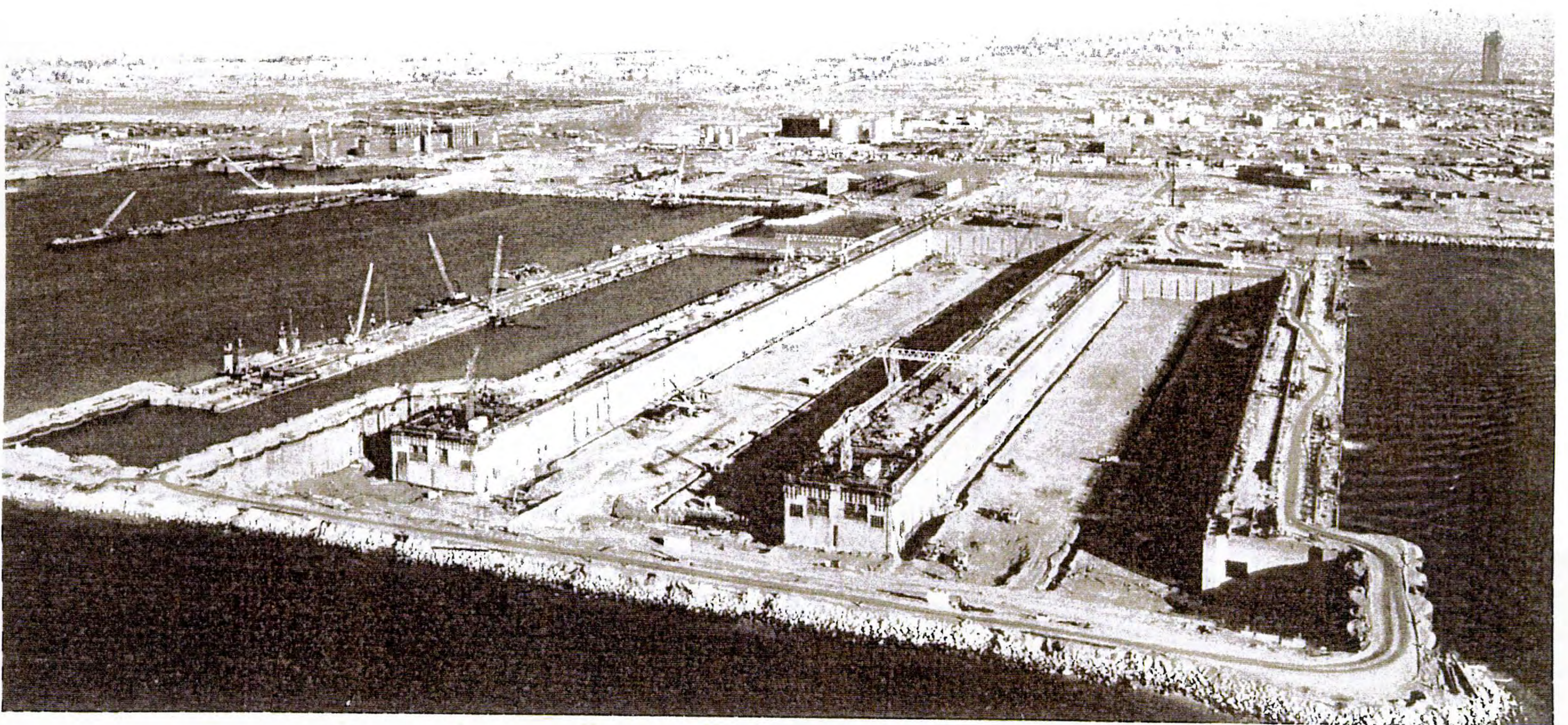
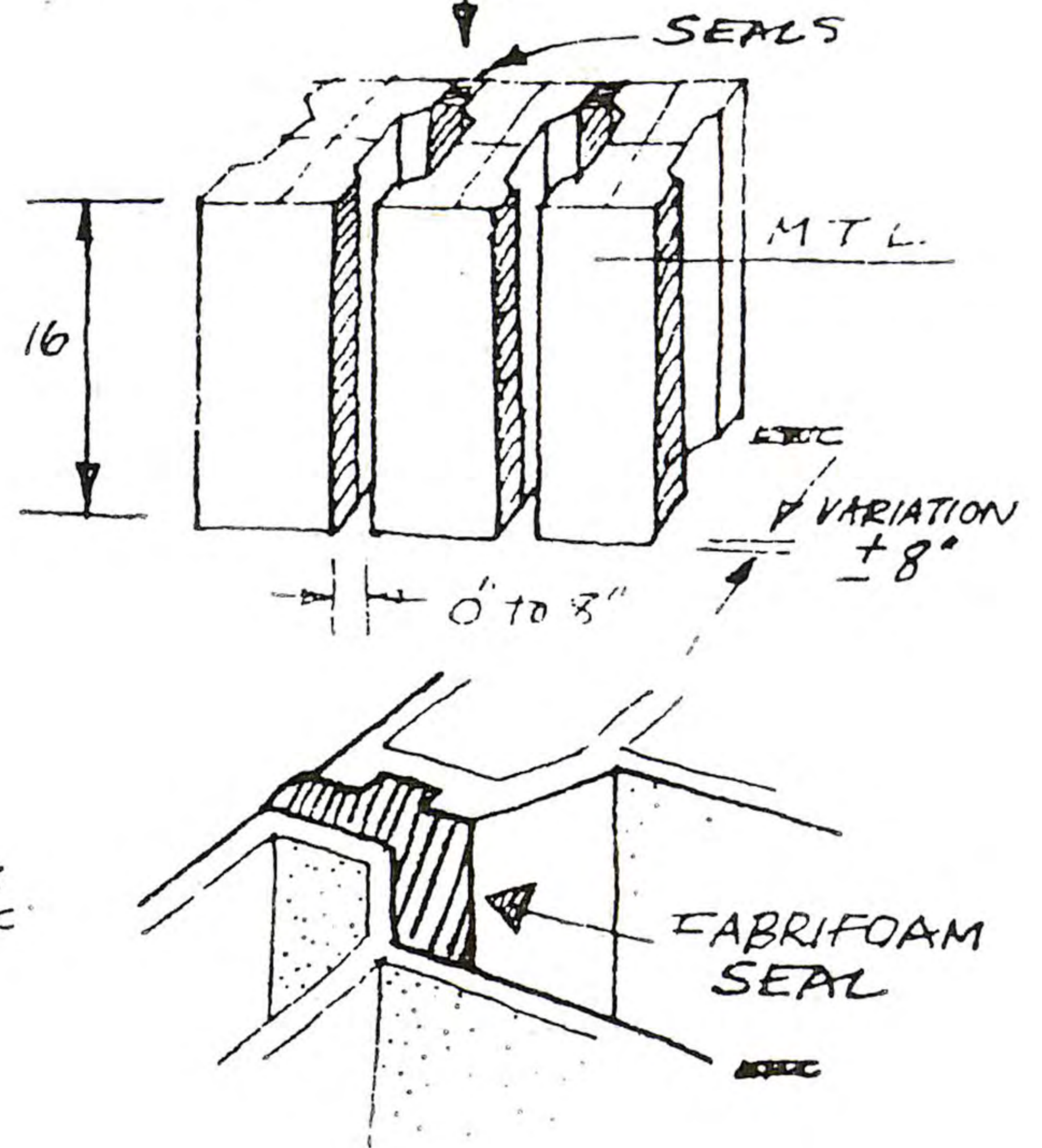
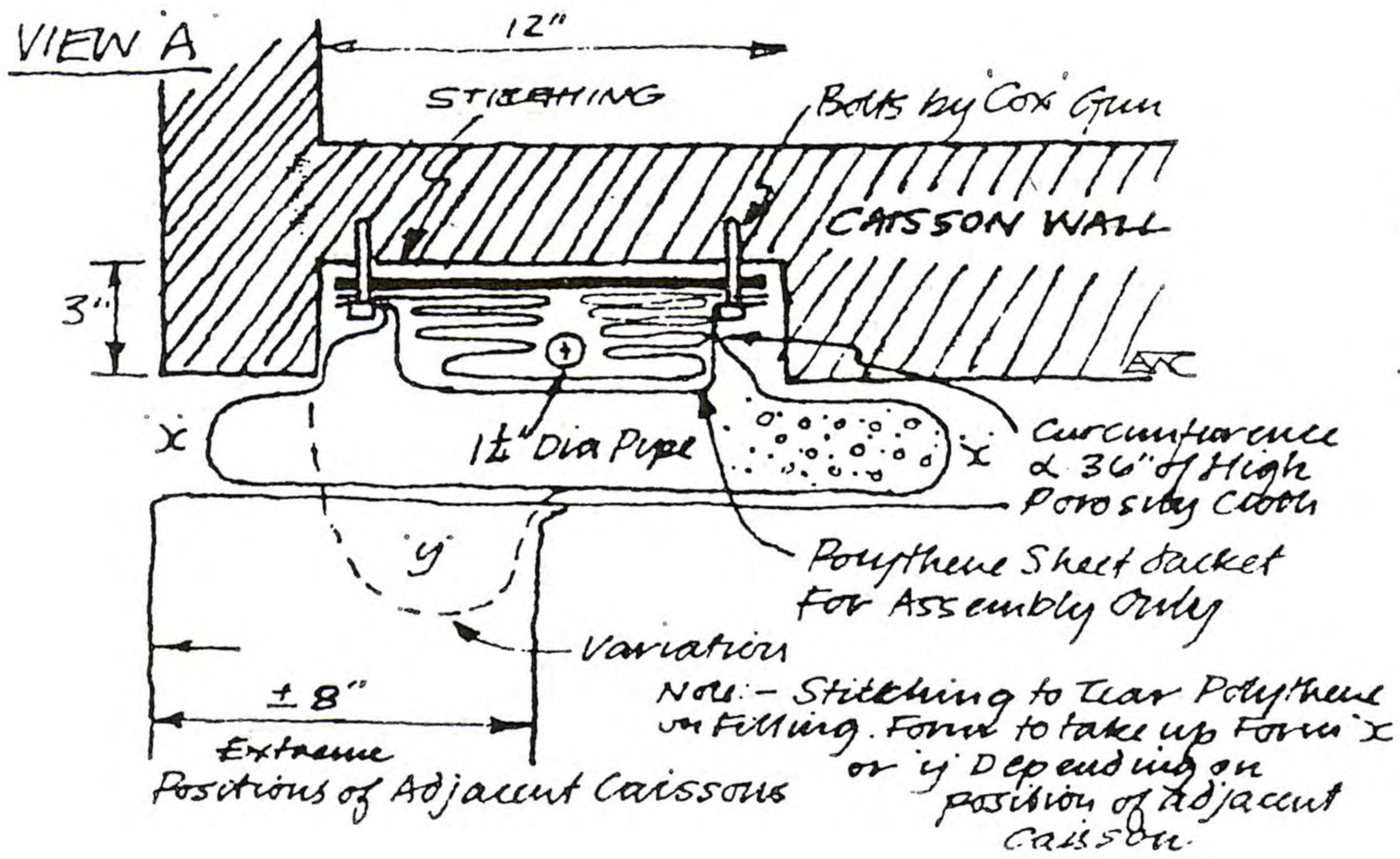


CAISSON SEALS

DUBAI DRY DOCKS

VERTICAL SEALS
To Dry Dock Monoliths

Heavy Hiltex Specification



30. Fabric Formwork Seals between Dry Dock Units.

1976. U.A.E.